

## flush diaphragm pressure transmitter, intrinsically safe ATEX version, accuracy 0,5 %



II 1 GD Ex ia IIC Ex ia III C  
II 1/2 GD Ex ia IIC Ex ia III C

Certificato :  
0425 ATEX 2635

### 8.XMA

**Ignition protection** Ex ia as per EN 60079-0, EN 60079-11, EN 60079-26, atmosphere type GD :

- category 1 <sup>(1)</sup>, marking II 1 GD Ex ia IIC Ex ia III C (cod. **1GD**);
- category 1/2, marking II 1/2 GD Ex ia IIC Ex ia III C (cod. **2GD**).

**Temperature classes** <sup>(2)</sup>,

- T6 (T85°C)Ta ≤ 60 °C (cod. **T6B**);
- T5 (T100°C)Ta ≤ 80 °C (cod. **T5B**);
- T4 (T135°C)Ta ≤ 100 °C (cod. **T4B**).

**Measuring ranges:** 0...1/0...600 bar, relative.

**Output signal:** 4...20 mA (cod. **1**).

**Non-linearity (BFSL):** ≤ ± 0,25 % of the range, according to IEC 61298-2.

**Non-repeatability:** ≤ 0,15 % of the range, according to IEC 61298-2.

**Accuracy:** ≤ ± 0,5% of the range <sup>(3)</sup>.

**Long term drift:** ≤ 0,2 % of span.

**Zero and span adjustment:** ± 10 % span typical.

**Stocking temperature:** -30...+85 °C.

**Response time:** <4 ms (measuring); <150 ms (switching on).

**Emission and immunity:** according to EN 61326, (group 1 - class B; industrial applications).

**Vibration resistance:** 20g (10...2000 Hz, according to IEC 60068-2-6).

**Shock resistance:** 40g (6 ms, according to IEC 60068-2-27).

**Sensor:** ceramic in Al<sub>2</sub>O<sub>3</sub>.

**Case:** in AISI 316L, vented up to 16 bar.

**Protection degree:** IP 65 according to IEC 60529 <sup>(5)</sup>.

**Process connection:** in AISI 316L, hole ø 2,5 mm (with restrictor ø 0,7 mm for measuring ranges ≥ 60 bar).

**Weight:** 0,28 kg

(1) available with IP 68 metallic cable gland only;

(2) "Tp" : fluid process temperature ≤ "Ta" : ambient temperature; "Tp" & "Ta" ≥ -20 °C.

(3) max measuring error according to IEC 61298-2, including non-linearity and hysteresis (limit-point calibration and reference conditions according to IEC 61298-1); accuracy ≤ ± 0,75% of span for measuring ranges 0...1 bar and 0...600 bar.

(4) + 0,5% of span for measuring range 1 bar

(5) with properly assembled electric connection

Ranges bar, relative (1)	Thermal drift % span / °C (3)	Overpressure bar, relative
0...1 (2)	0,08	2,5
0...1,6/0...2,5 (2)	0,06	5
0...4 (2)	0,04	10
0...6 (2)	0,03	20
0...10	0,03	20
0...16	0,02	40
0...25/0...40	0,02	100
0...60/0...100	0,02	200
0...160/0...250	0,02	500
0...400	0,02	600
0...600	0,02	800

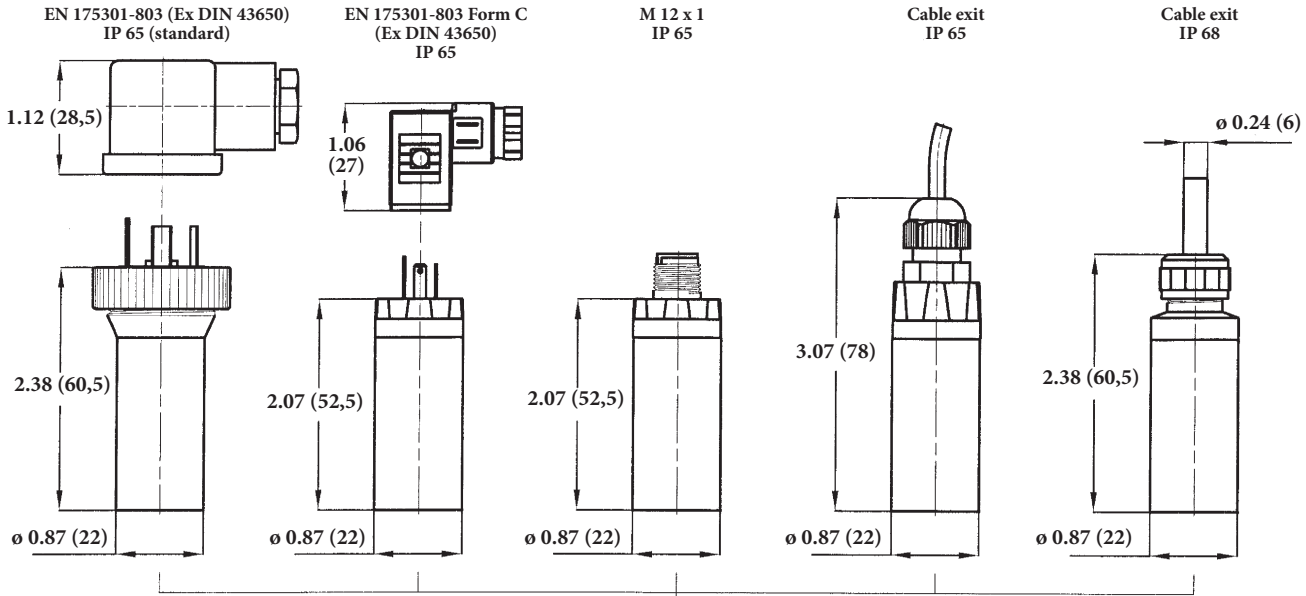
(1) Other unit of measurement and intermediate ranges are available, as requested by customer.

(2) Ranges available with G 3/4 A connection only.

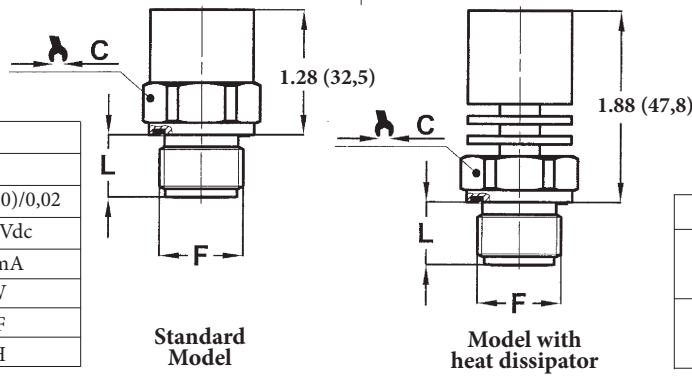
(3) Thermal drift on connection G 3/4 A.

# flush diaphragm pressure transmitter, intrinsically safe ATEX version, accuracy 0,5 %

# SX MA

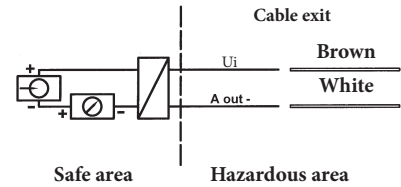
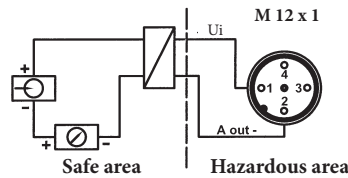
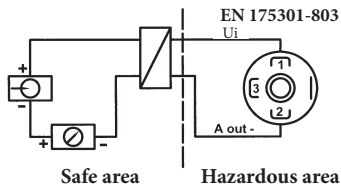


Electrical features	
N. of wires	2
Load (Ohm)	$R_L \leq (U_i - 10)/0,02$
Supply ( $U_i$ )	10...30 Vdc
Max current ( $I_i$ )	$\leq 100$ mA
Max power ( $P_i$ )	1,0 W
Capacitance ( $C_i$ )	19 nF
Inductivity ( $L_i$ )	0 mH



F	L	C
<b>41M</b> G 1/2 B	0.62 (16)	1.06 (27)
<b>51M</b> G 3/4 B	0.64 (16,5)	1.25 (32)

dimensions : inches (mm)



## OPTIONS

Classification	II 1GD	II 1/2GD
--- - Junction box IP 65, as per EN 175301-803 Form A		T6...T4 (2)
<b>SCC</b> - Junction box IP 65, as per EN 175301-803 Form C (1)		T6...T4 (2)
<b>M12</b> - Junction box IP 65, M12 x 1 (1)		T6...T5
<b>PVC</b> - Cable exit IP 65, with PVC cable (1)		T6...T5
<b>U68</b> - Cable exit IP 68, with vented polyurethane cable (1)	T6	T6

- (1) Zero calibration not available  
(2) silicon gasket when T4 temp. class is choose

## “HOW TO ORDER” SEQUENCE

Section / Model / Range / Process connection / Output signal / Classification / Temperature / Gasket / Options  
**8 XMA**                      **41M**                      **1**                      **1GD**                      **T6B**                      **FPM --- ... U68**  
    **51M**                                           **2GD**                      **T5B**  
                                                                   **T4B**

Copyright © NUOVA FIMA S.p.A. Tutti i diritti riservati. Nessuna parte di questa pubblicazione può essere riprodotta in alcuna forma senza permesso scritto rilasciato da Nuova Fima S.p.A.

NUOVA FIMA S.p.A. - [www.nuovafima.com](http://www.nuovafima.com)  
 P.O. BOX 58 - VIA C. BATTISTI 59 - 28045 INVORIO (NO) ITALY  
 TEL. +39 0322 253200 - FAX +39 0322 253232



IN ORDER TO IMPROVE THEIR PRODUCTION, MESSRS. NUOVA FIMA RESERVE THE RIGHT TO THEMSELVES TO MAKE ALL THE MODIFICATIONS THAT THEY DEEM INDISPENSABLE AT ANY TIME. UPDATED DATA SHEETS ARE AVAILABLE ON SITE: [www.nuovafima.com](http://www.nuovafima.com)